

2N2323—2N2329

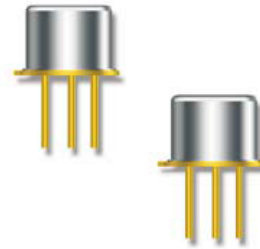


Silicon Controlled Rectifier

Rev. V4

Features

- Available in JAN, JANTX, JANTXV per MIL-PRF-19500/276
- TO-5 & TO-39 (TO-205AD) Package



Electrical Characteristics

Characteristics	Symbol	Min.	Max.	Units	
Subgroup 2 Testing					
Reverse Blocking Current $R_2 = 1\text{ k}\Omega$ $R_2 = 2\text{ k}\Omega$ $V_R = 50\text{ Vdc}$ $V_R = 100\text{ Vdc}$ $V_R = 200\text{ Vdc}$ $V_R = 300\text{ Vdc}$ $V_R = 400\text{ Vdc}$	2N2323, S - 2N2329, S 2N2323A, AS - 2N2329A, AS 2N2323, S, A, AS 2N2324, S, A, AS 2N2326, S, A, AS 2N2328, S, A, AS 2N2329, S, A, AS	I_{RBX1}	—	10 μAdc	
Forward Blocking Current $R_2 = 1\text{ k}\Omega$ $R_2 = 2\text{ k}\Omega$ $V_R = 50\text{ Vdc}$ $V_R = 100\text{ Vdc}$ $V_R = 200\text{ Vdc}$ $V_R = 300\text{ Vdc}$ $V_R = 400\text{ Vdc}$	2N2323, S - 2N2329, S 2N2323A, AS - 2N2329A, AS 2N2323, S, A, AS 2N2324, S, A, AS 2N2326, S, A, AS 2N2328, S, A, AS 2N2329, S, A, AS	I_{FBX1}	—	10 μAdc	
Reverse Gate Current ($V_{KG} = 6\text{ Vdc}$)		I_{kg}	—	200 μAdc	
Gate Trigger Voltage & Current $V_2 = V_{FBX} = 6\text{ Vdc}$; $R_L = 100\text{ W}$	$R_e = 1\text{ k}\Omega$ $R_e = 2\text{ k}\Omega$	2N2323, S - 2N2329, S 2N2323A, AS - 2N2329A, AS	V_{GT1} I_{GT1} V_{GT1} I_{GT1}	0.35 — 0.35 — 0.80 200 0.60 20 Vdc μAdc Vdc μAdc	
Subgroup 4 Testing					
Exponential Rate of Voltage Rise $T_A = 125^\circ\text{C}$ $50\ \Omega \leq R_L \leq 400\text{ W}$, $C = 0.1$ to $1.0\ \mu\text{F}$, repetition rate = 60 pps, test duration = 15 seconds	$dv/dt = 1.8\text{ v}/\mu\text{s}$, $R_3 = 1\text{ k}\Omega$ $dv/dt = 0.7\text{ v}/\text{ms}$, $R_3 = 2\text{ k}\Omega$ $V_R = 50\text{ Vdc}$ $V_R = 100\text{ Vdc}$ $V_R = 200\text{ Vdc}$ $V_R = 300\text{ Vdc}$ $V_R = 400\text{ Vdc}$	2N2323, S - 2N2329, S 2N2323A, AS - 2N2329A, AS 2N2323, S, A, AS 2N2324, S, A, AS 2N2326, S, A, AS 2N2328, S, A, AS 2N2329, S, A, AS	V_{FBX}	47 95 190 285 380 — Vdc	
Forward "on" Voltage $I_{FM} = 4\text{ a (pk)}$ (pulse), pulse width = 8.5 ms, max; duty cycle = 2% max.			V_{FM}	—	2.2 V(pk)
Holding Current $V_{AA} = 24\text{ Vdc max.}$, $I_{F1} = 100\text{ mAdc}$, $I_{F2} = 10\text{ mAdc}$ Gate trigger source voltage = 6 Vdc, trigger pulse width = 25 μs min. $R_2 = 330\ \Omega$	$R_3 = 1\text{ k}\Omega$ $R_3 = 2\text{ k}\Omega$	2N2323, S - 2N2329, S 2N2323A, AS - 2N2329A, AS	I_{HOX}	—	2 mAdc

Absolute Maximum Ratings

Ratings	Symbol	2N2323, S/ 2N2323A, S	2N2324, S/ 2N2324A, S	2N2326, S/ 2N2326A, S	2N2328, S/ 2N2328A, S	2N2329, S/ 2N2329A, S	Unit
Reverse Voltage	V_{RM}	50	100	200	300	400	Vdc
Working Peak Reverse Voltage	V_{RM}	75	150	300	400	500	Vpk
Forward Blocking Voltage	V_{FBXM}	$50^{3,4}$	$100^{3,4}$	$200^{3,4}$	$300^{3,4}$	$400^{3,4}$	Vpk
Average Forward Current ¹	I_O	0.22					Adc
Forward Current Surge Peak ²	I_{FSM}	15					Adc
Cathode-Gate Current	V_{KGM}	6					Vpk
Operating Temperature	T_{OP}	-65 to +125					°C
Storage Junction Temperature	T_{STG}	-65 to +150					°C

1. This average forward current is for an ambient temperature of 80°C and 180 electrical degrees of conduction.
2. Surge current is non-recurrent. The rate of rise of peak surge current shall not exceed 40 A during the first 5 μ s after switching from the 'off' (blocking) to the 'on' (conducting) state. This is measured from the point where the thyristor voltage has decayed to 90% of its initial blocking value.
3. Gate connected to cathode through 1,000 ohm resistor.
4. Gate connected to cathode through 2,000 ohm resistor.

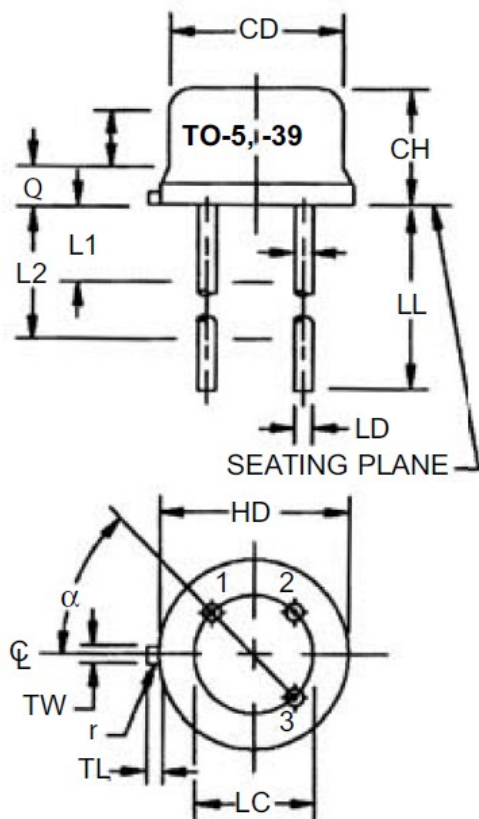
2N2323—2N2329



Silicon Controlled Rectifier

Rev. V4

Outline Drawing (TO-5 & TO-39)



LTR	Dimensions				Note
	Inches		Millimeters		
	MIN	MAX	MIN	MAX	
CD	0.305	0.335	7.75	8.51	—
CH	0.240	0.260	6.10	6.60	—
HD	0.335	0.370	8.51	9.40	—
LC	0.200 TP		5.08 TP		7
LD	0.016	0.021	0.041	0.053	8, 9
LL					8,11,14
LU	0.016	0.019	0.041	0.048	8, 9
L1	—	0.050	—	1.27	8, 9
L2	0.250	—	6.35	—	8, 9
P	0.100	—	2.54	—	7
Q	—	0.050	—	1.27	5
TL	0.029	0.045	0.74	1.14	—
TW	0.028	0.034	0.71	0.86	—
r	—	0.010	—	0.25	10
α	45° TP		45° TP		7
1, 2, 10, 12, 13, 14					

- Dimensions are in inches.
- Millimeters are given for general information only.
- Beyond r (radius) maximum, TW shall be held for a minimum length of .011 (0.28 mm).
- Dimension TL measured from maximum HD.
- Body contour optional within zone defined by HD, CD, and Q.
- CD shall not vary more than 0.010 inch (0.25 mm) in zone P. This zone is controlled for automatic handling.
- Leads at gauge plane 0.054 +0.001 -0.000 inch (1.37 +0.03 -0.00 mm) below seating plane shall be within 0.007 inch (0.18 mm) radius of true position (TP) at maximum material condition (MMC) relative to tab at MMC. The device may be measured by direct methods or by gauging procedure.
- Dimension LU applies between L, and L₁. Dimension LD applies between L, and LL minimum. Diameter is uncontrolled in and beyond LL minimum.
- All three leads.
- The collector shall be internally connected to the case.
- Dimension r (radius) applies to both inside corners of tab.
- In accordance with ASME Y14.5M, diameters are equivalent to Φ x symbology.
- Lead 1 = cathode, lead 2 = gate, lead 3 = anode. The anode shall be internally connected to the case.
- For non-S-suffix devices (T0-5), dimension LL = 1.5 inches (38.10 mm) min. and 1.75 inches (44.45 mm) max. For S-suffix types (T0-39), dimension LL = 0.5 inch (12.70 mm) min. and 750 inch (19.05 mm) max.

VPT Components All rights reserved.

Information in this document is provided in connection with VPT Components' products. These materials are provided by VPT Components as a service to its customers and may be used for informational purposes only. Except as provided in VPT Components' Terms and Conditions of Sale for such products or in any separate agreement related to this document, VPT Components assumes no liability whatsoever. VPT Components assumes no responsibility for errors or omissions in these materials. VPT Components may make changes to specifications and product descriptions at any time, without notice. VPT Components makes no commitment to update the information and shall have no responsibility whatsoever for conflicts or incompatibilities arising from future changes to its specifications and product descriptions. No license, express or implied, by estoppel or otherwise, to any intellectual property rights is granted by this document.

THESE MATERIALS ARE PROVIDED "AS IS" WITHOUT WARRANTY OF ANY KIND, EITHER EXPRESS OR IMPLIED, RELATING TO SALE AND/OR USE OF VPT COMPONENTS' PRODUCTS INCLUDING LIABILITY OR WARRANTIES RELATING TO FITNESS FOR A PARTICULAR PURPOSE, CONSEQUENTIAL OR INCIDENTAL DAMAGES, MERCHANTABILITY, OR INFRINGEMENT OF ANY PATENT, COPYRIGHT OR OTHER INTELLECTUAL PROPERTY RIGHT. VPT COMPONENTS FURTHER DOES NOT WARRANT THE ACCURACY OR COMPLETENESS OF THE INFORMATION, TEXT, GRAPHICS OR OTHER ITEMS CONTAINED WITHIN THESE MATERIALS. VPT COMPONENTS SHALL NOT BE LIABLE FOR ANY SPECIAL, INDIRECT, INCIDENTAL, OR CONSEQUENTIAL DAMAGES, INCLUDING WITHOUT LIMITATION, LOST REVENUES OR LOST PROFITS, WHICH MAY RESULT FROM THE USE OF THESE MATERIALS.

VPT Components' products are not intended for use in medical, lifesaving or life sustaining applications. VPT Components' customers using or selling VPT Components' products for use in such applications do so at their own risk and agree to fully indemnify VPT Components for any damages resulting from such improper use or sale.